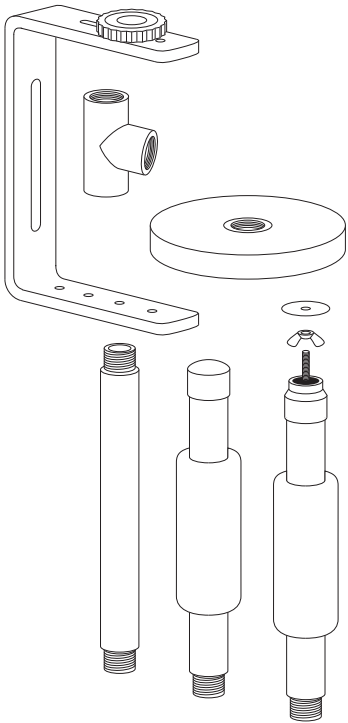




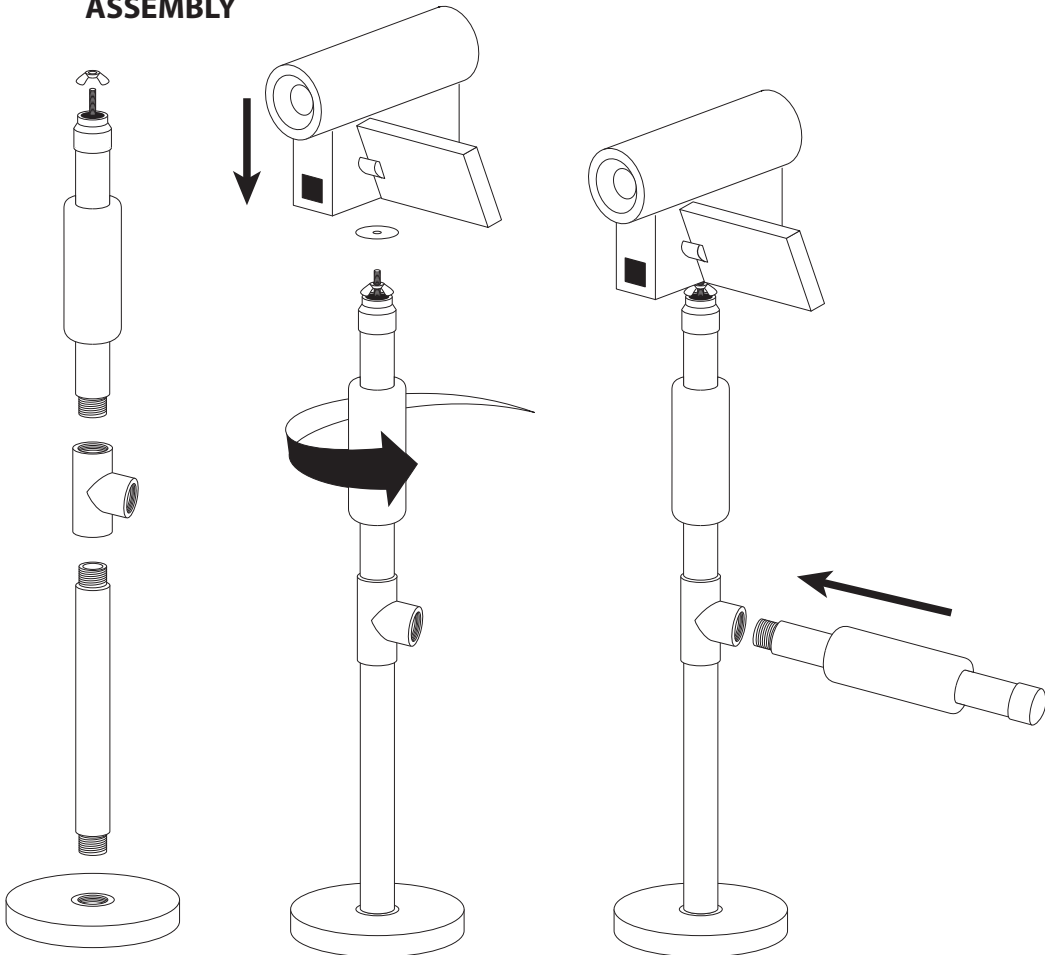
**SC-JL**  
**SteadyCam**  
**Camcorder Stabilizer**

# Parts & Assembly

## PARTS



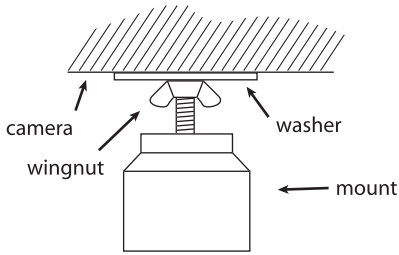
## ASSEMBLY



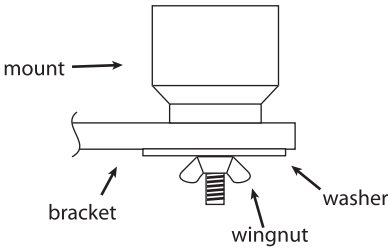
**1** Assemble the main column with the wing nut upside down.

**2** Attach camera by holding camera and turning main column. Tighten wing nut against camera bottom.

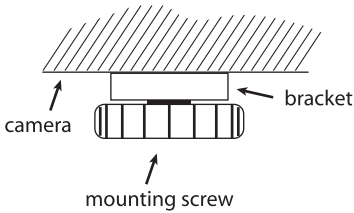
**3** Attach side handle. Begin filming



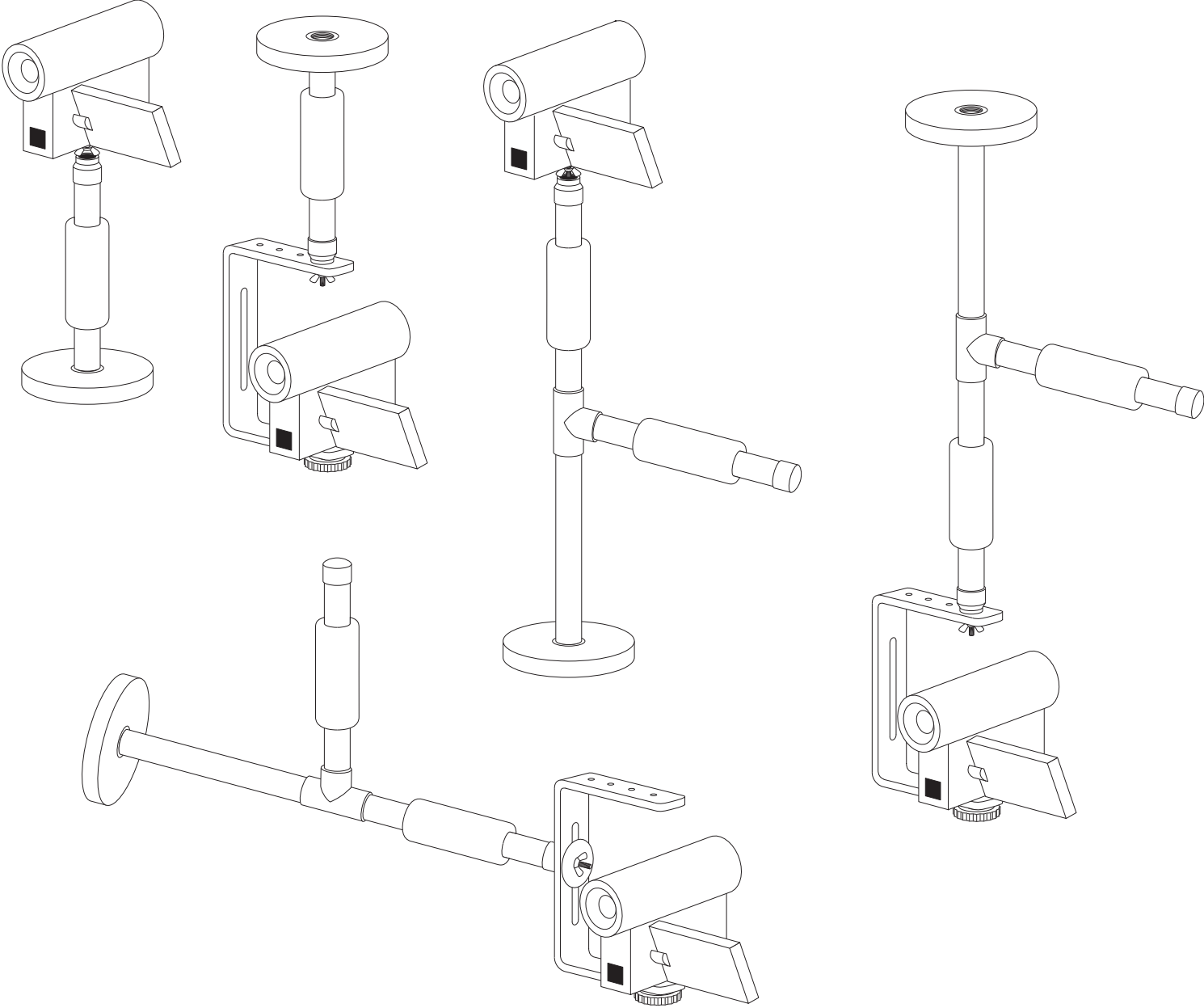
close up of camera mount



close ups of inverting bracket usage



# Configurations



# Warranty

90 Day Limited Warranty  
Sima Products Corporation  
Limited Warranty

Sima Products Corp. ("Sima") warrants that if the accompanying product proves to be defective to the original purchaser in material or workmanship within 90 days from the original retail purchase, Sima will, at Sima's option, either repair or replace same without charge (but no cash refund will be made).

**What you must do to enforce Warranty:**

You must deliver, mail or ship the product, together with both the original bill of sale and this limited Warranty statement as proof of warranty coverage to:

Sima Products Corp.  
Attn: Customer Service  
140 Pennsylvania Ave.  
Bldg. #5  
Oakmont, PA 15139  
412-828-3700  
412-828-3775 FAX

It is recommended that you call Sima at the number listed above to obtain a return authorization number.

**Limitation of Liability and Remedies:**

Sima shall have no liability for any damages due to lost profits, loss of use or anticipated benefits, or other incidental, consequential, special or punitive damages arising from the use of, or the inability to use, this product, whether arising out of contract, negligence, tort or under any warranty, even if Sima has been advised of the possibility of such damages. Sima's liability for damages in no event shall exceed the amount paid for this product. Sima neither assumes nor authorizes anyone to assume for it any other liabilities. Some states do not allow the exclusion or limitation of incidental or consequential damages, so the above limitation or exclusion may not apply to you.

This warranty gives you specific legal rights, and you may also have other rights which vary from state to state.